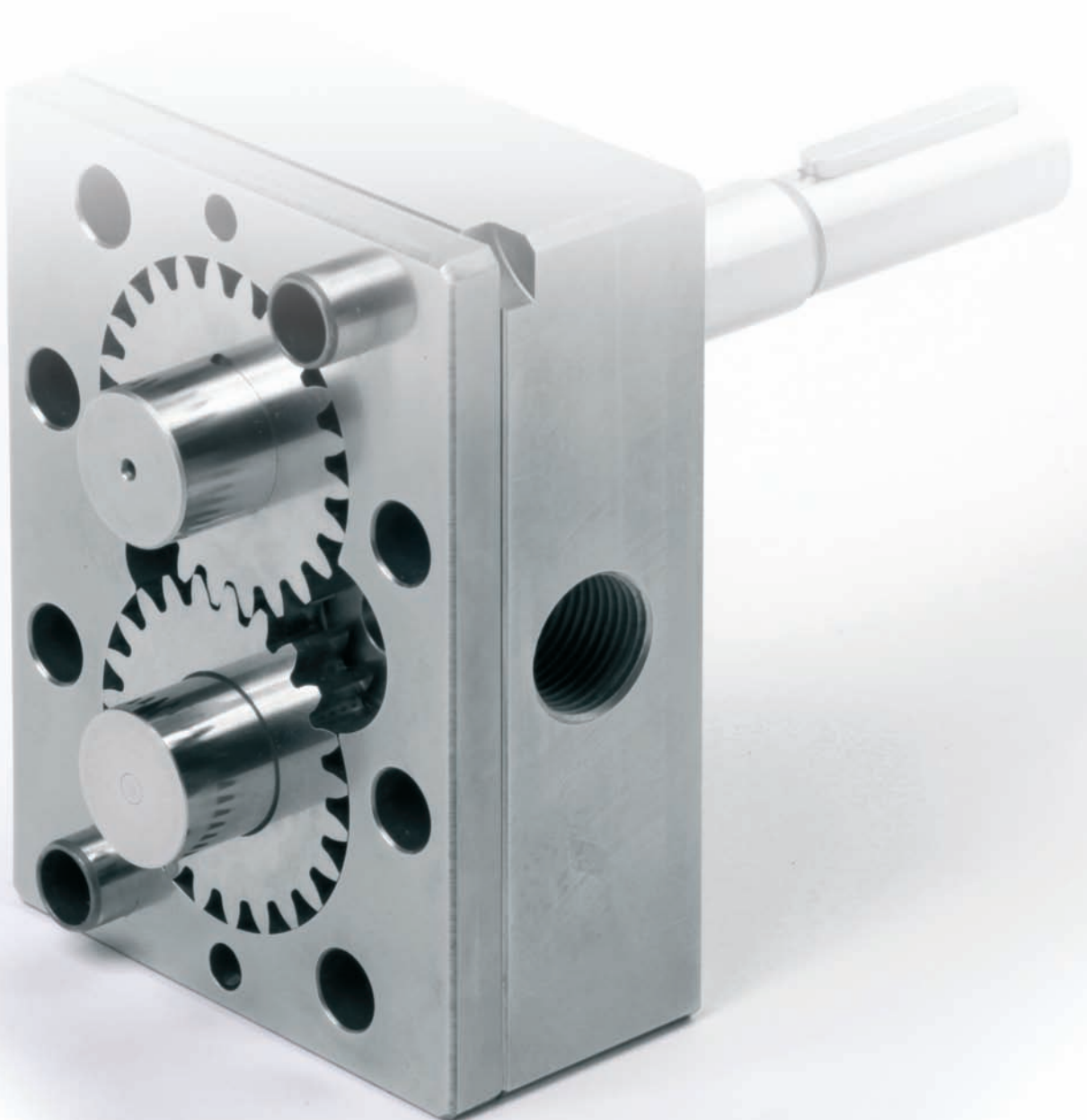


Precision gear metering pumps

For higher-viscous media



Precision gear metering pumps

The GA series – efficient when things get tough

Throughout the world, Oerlikon Barmag metering pumps are deployed in procedural systems in the chemicals, the plastics and the dyes and paints industry or in PUR applications. Today, the technological know-how and the resolutely-targeted further development on the basis of customer-specific requirements form the very foundations for efficient solutions for challenging tasks.

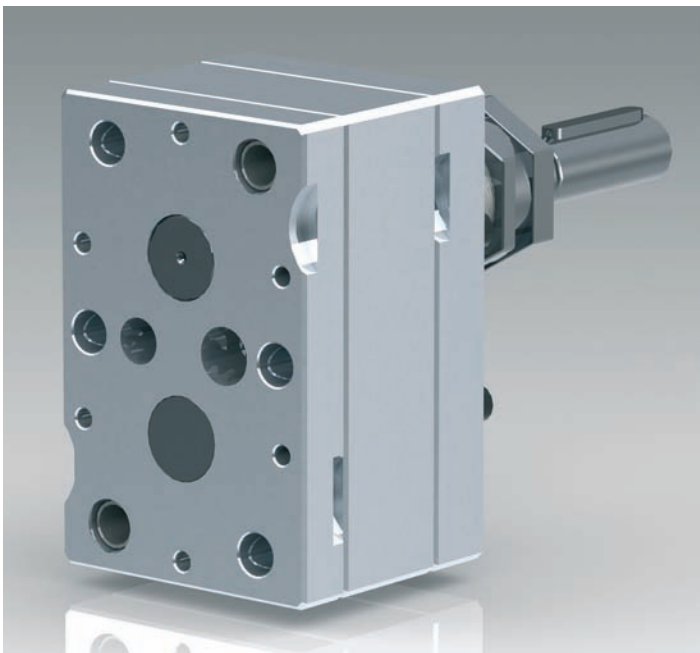
Supplementing the company's proven GM pump series, Oerlikon Barmag

has now developed the GA range for conveying higher-viscous (filled and unfilled) media. The GA series is available in models for conveying volumes of between 1.25 and 30 cc/rev (0.6-144 liters/hour). It is designed for pressures of up to 200 bar – while drum pumps can even cope with 250 bar – for viscosities of up to 1,500 Pas and for temperatures up to a maximum of 225 °C (throughputs, pressures, viscosities and temperatures not possible in all combinations). It is characterized by its short flow channels and the utilization of highly wear-resistant tool steels.

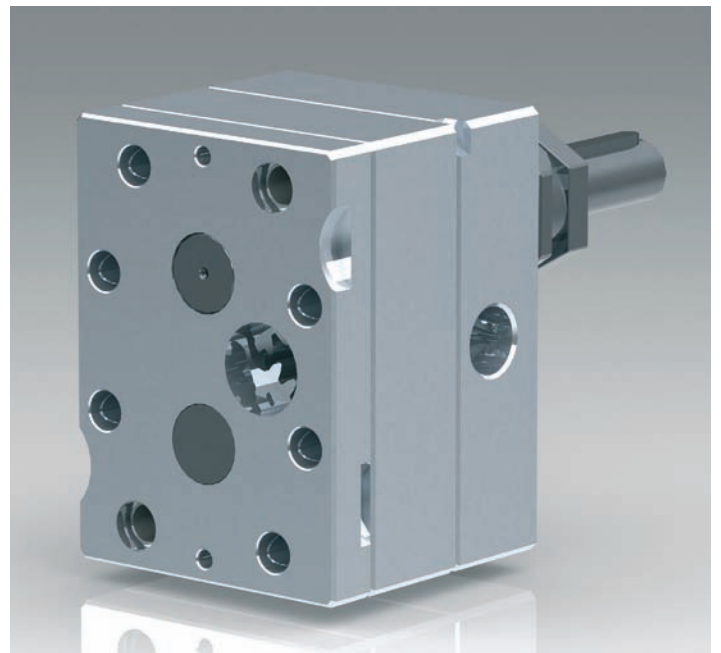
The GA pumps are predominantly used in silicone processing and in hot-melt adhesive applications, but also in processing resins and polyurethanes and other higher-viscous liquids. With the new range of pumps, Oerlikon Barmag now offers tailor-made solutions for all applications for which accurately-defined, even metering is absolutely essential.

Highlights

- Plate package with centering bushings:
 - Permits simple assembly and disassembly;
 - Minimizes the wear and tear as a result of the centered alignment of the bearing positions vis-à-vis each other.
- Centered seal housing:
 - Centered assembly of the shaft seal to the drive shaft enables the maximum lifetime of the seal.
- Self-flushing shaft sealing (patent pending):
 - Longer maintenance intervals;
 - Longer lifetime.
- Same interfaces for each individual series:
 - Therefore, all pumps and seal systems are interchangeable.

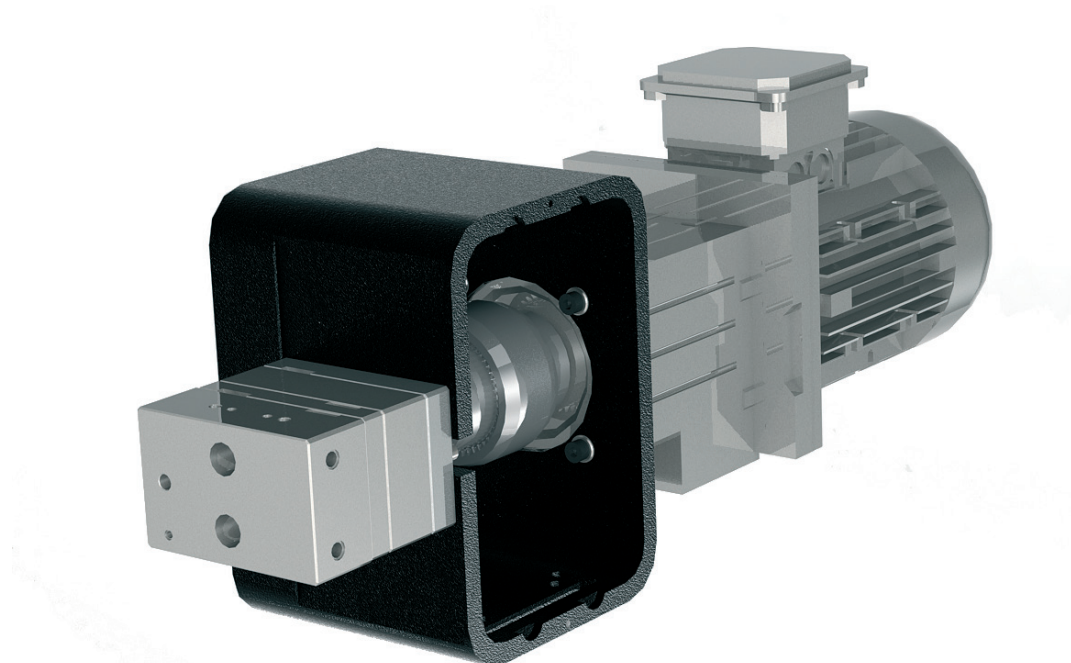


Standard GA pump



Standard GA pump as a drum pump for direct installation on the drum follow-up plate

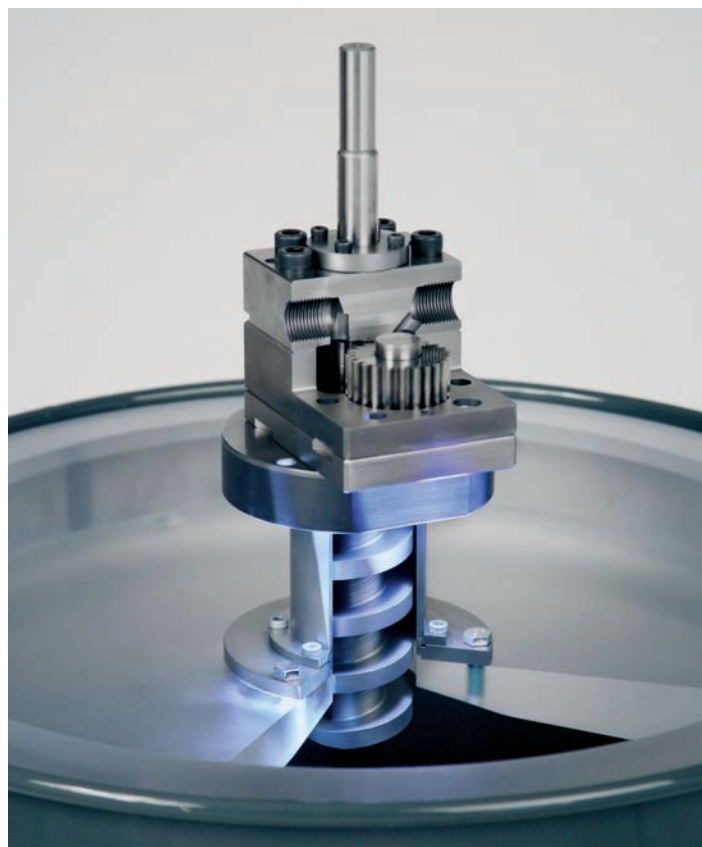
Design variants



Standard GA pump with drive unit and adaptor block

Accessories

- Adaptor block for foot mounting and for connecting product pipes;
- Electrical heating;
- PT 100 temperature sensor;
- Drive (holder, coupling, drive motor);
- Drive motors with and without frequency inverters;
- ATEX certificate;
- Conveying screw for optimum pump filling in the event of insufficient supply pressure for drum pumps



Drum pump with conveying screw on drum follow-up plate.

Oerlikon Barmag

Zweigniederlassung der
Oerlikon Textile GmbH & Co. KG
Leverkuser Straße 65
P.O. Box 11 0240
42862 Remscheid
Germany

Phone +49 21 91 67-0

Fax +49 21 91 67-1794

www.oerlikon.com/manmade-fibers
pumpsales.barmag@oerlikon.com



Id-No. 1435394
www.bvdm-online.de