

**oerlikon**  
barmag

# Precision gear metering pumps

For chemical applications



# Gear metering pumps



Pump with magnetic coupling

## The GM series - an all-inclusive range.

Since 1922, Oerlikon Barmag's gear metering pumps have been used worldwide as process engineering components in applications involving chemicals, plastics, colours & dyes as well as PUR. Oerlikon Barmag is continuously broadening its delivery range through consistent advancements based on customers' requirements. The metering pump series for chemical

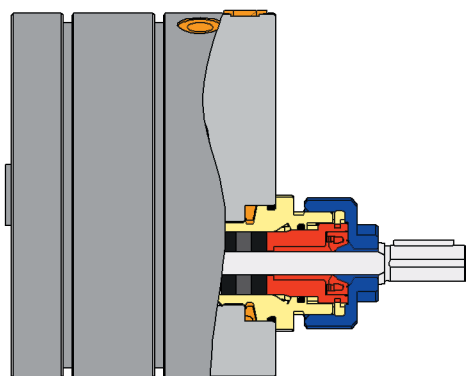
applications is available with volumetric outputs ranging from 0.05 - 200 cm<sup>3</sup>/revolution. This series is characterized by short flow channels; all parts coming into contact with flow media are made of basic material 1.4112.

These dosing pumps are used mainly for highly precise metering of chemical fluids. Accurate metering at high pressure is guaranteed even under the most difficult operating conditions involving light and toxic media.

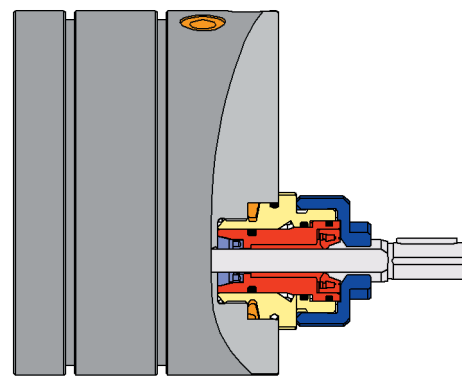
## Highlights

- Volumetric output of 0.05 - 200 cm<sup>3</sup>/revolution
- Short flow channels
- Plate packet sealed with O-rings
- Special wheel bearing design, to cover a wide metering range
- Temperature sensor bore included in every pump
- Pumps available in alternative materials (1.4571, 1.3343)
- Prepared for use with sealing liquid

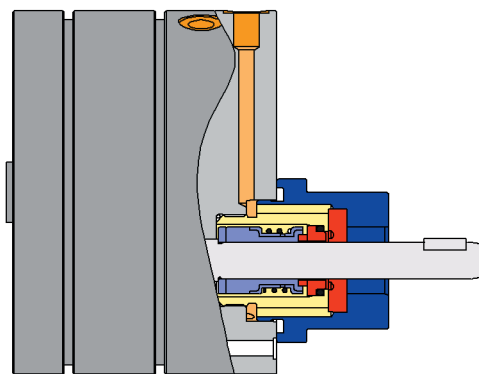
## Design variants



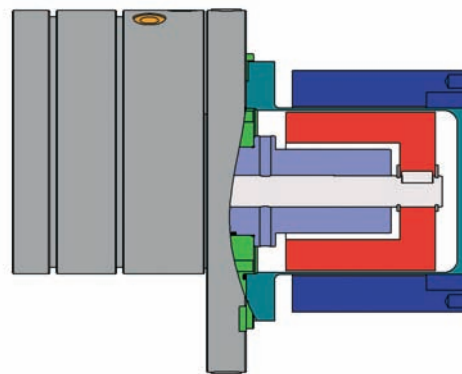
Stuffing box



Shaft sealing ring



Mechanical seal



Magnetic coupling

## Optional accessories

- Gear motor with frequency inverter (Profi-bus compatibility)
- Operating unit for speed control
- Electrical and liquid heating possible
- Wear-resistant coating (DLC)
- Buffer fluid filling set
- ATEX certificate
- Clean Air Guidelines (TA-Luft)

**Oerlikon Barmag**

Zweigniederlassung der  
Oerlikon Textile GmbH & Co. KG  
Leverkuser Straße 65  
P.O. Box 11 0240  
42862 Remscheid  
Germany

Phone +49 21 91 67-0

Fax +49 21 91 67-1794

[www.oerlikon.com/manmade-fibers](http://www.oerlikon.com/manmade-fibers)  
[pumpsales.barmag@oerlikon.com](mailto:pumpsales.barmag@oerlikon.com)